

Hive Box Assembly Instructions

Parts:

2 Ends – 16 1/4" width
2 Sides – 19 7/8" width

Tools:

Hammer
Drill
Carpenter's Square

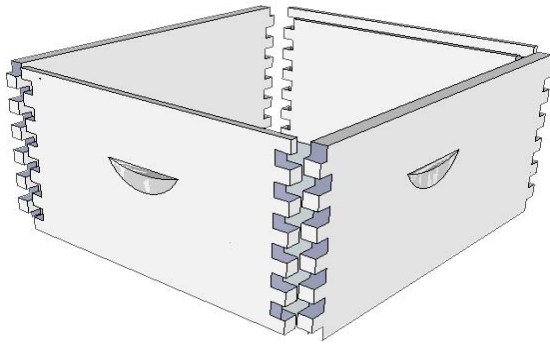
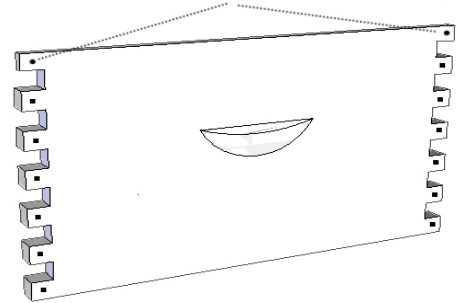
Additional Materials:

Wood Block – 2x4
Nails – 6d or 8d box nails
All-Weather Wood Glue
Exterior Paint

Step 1:

Lay the two end pieces on a flat surface. Using a drill bit slightly smaller than the nails, pre-drill the nail holes on the two top fingers of the end pieces. Note- You can pre-drill all holes if desired, this helps prevent the wood from splitting.

Pre-Drill Holes(all others optional)

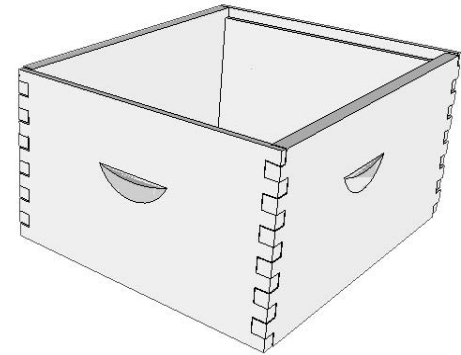
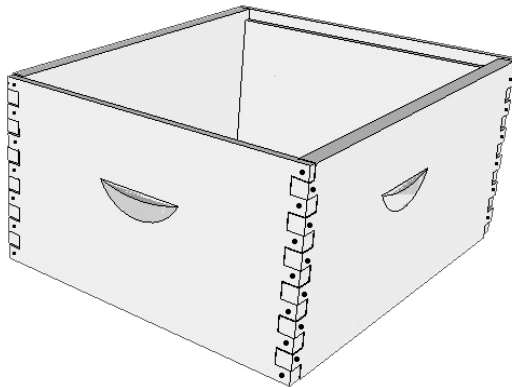


Step 2:

Assemble the 2 short ends and the 2 long side pieces so that all hand-holds are facing in the same direction, and are on the outside of the box as shown. Although not required, it is highly recommended that you place a bead of glue inside each finger of the each piece before combining.

Step 3:

Lock the finger joint corners in place by pressing together, a hammer may be necessary. (When hammering, use a wooden block as a buffer or a rubber hammer so the fingers are not damaged by direct hammer impact.)



Step 4:

Using the carpenter's square, square-up all four corners of the box. Hammer nails into each corner. (We recommend one for each finger on the box) Make sure the box stays square as you do this!

Step 5:

Paint the outside of the hive body with a good quality outdoor paint (exterior latex or oil). You can use any color you wish, but light pastels or white is best. (Many paint and home stores offer mis-tinted paints at a discount). Painting the inside of the hive box is NOT recommended.



202 S. Bryant Place
Oklahoma City, OK 73115
Questions? Call: 877.481.BEES